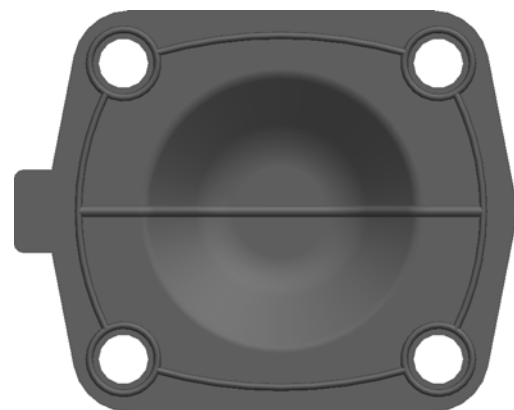
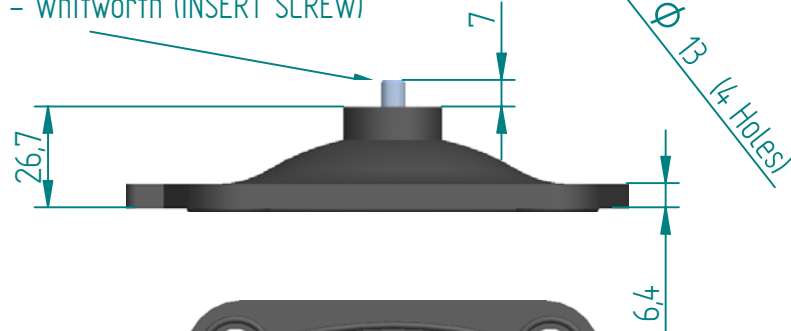
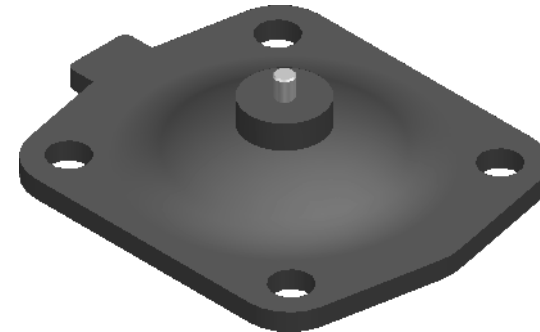


1/4" - Whitworth (INSERT SCREW)



REVISION HISTORY			
REV	DESCRIPTION	DATE	APPROVED
E	OEM PART changed from DA050-EF to DA050ER	05/12/21	JB



SCALE
1:2



Replacement Diaphragm for :-

OEM PART = DA050ER

USED ON 2" (DN50) Diaphragm Valve

	NAME	DATE
DRAWN	M.MC KEON	12/05/21
CHECKED	M.MC KEON	12/05/21

Material - EPDM

Complies with CFR 177.2600
and Conforms to
USP Class VI Biological Reactivity
Tests Section #87 and #88



TITLE
DD20-SE7

SIZE	FOOT PRINT DIMENSIONS	REV
A		E

FILE NAME: DD20-SE7.dft

SCALE: 1 : 1.25 | GDE-DN50-S | SHEET 1 OF 1

Disclaimer - Diaphragm Direct® does not manufacture, represent, nor sell OEM valves or diaphragms manufactured by any other company. Diaphragm Direct® brand diaphragms are not sponsored by any other manufacturers. Any name, model, part number, brand, image, material or referral is for descriptive purposes only. Diaphragm Direct® brand replacement diaphragms are guaranteed to fit OEM equipment and meet or exceed OEM specifications. Diaphragm Direct® brand replacement diaphragms are covered by the standard Diaphragm Direct® limited product warranty.